

# SHOP DRAWINGS

6th. SUBMITTAL : 11/20/18

# 1350 ALA MOANA WINDOW REPLACEMENT

- OPTION NO. 1 - (MOCK-UP)  
FOR TWO WINDOWS IN UNIT 2601

### TABLE OF CONTENTS:

SHEET	DWG	DESCRIPTION	REVISION
			Δ   Δ   Δ   Δ   Δ
1	0.01	COVER SHEET	
2	2.01	ENLARGED WINDOW ELEVATION	Δ
3	3.01	HORIZONTAL FULL SIZE DETAILS	Δ
4	4.01	VERTICAL FULL SIZE DETAILS	Δ

### CUSTOMER, GENERAL CONTRACTOR, & ARCHITECT NOTES:

- THESE SHOP DRAWINGS, WHEN APPROVED, WILL SUPERSEDE ALL OTHER DOCUMENTS WITH WHICH THE JOB WILL BE MANUFACTURED. ANY SUBSEQUENT CHANGES ARE SUBJECT TO THE APPROVAL OF ARCADIA, INC.
- PRIOR TO FABRICATION, ALL DIMENSIONS, CONFIGURATIONS, AND QUANTITIES ARE TO BE VERIFIED AND/OR CORRECTED ON EVERY SHOP DRAWING SUBMITTAL.
- SURROUNDING STRUCTURES ARE TO BE DESIGNED BY OTHERS TO SUPPORT THE LOADS IMPARTED BY THE GLAZING SYSTEM.
- ARCADIA, INC IS NOT RESPONSIBLE FOR WORK AND/OR ERRORS INCURRED BY OTHER TRADES THROUGH THE USE OF THESE SHOP DRAWINGS.
- TOLERANCE OF ROUGH OPENING SHALL BE A MAXIMUM OF ± 3/16".

### PROJECT INFORMATION :

**PROJECT:** GLAZING CONTRACTOR:  
 1350 ALA MOANA  
 WINDOW REPLACEMENT  
 (MOCK-UP)  
 ELITE RAILINGS & WINDOWS, LLC,  
 80 SAND ISLAND ACCESS RD, STE. 134  
 HONOLULU, HAWAII 96819  
 PHONE: 808-841-7602  
 FAX: 808-842-7245  
 CONTACT: GEORGE

CODES: IBC 2006 WITH CITY AND COUNTY OF HONOLULU AMENDMENTS  
 WINDLOADS: 105 MPH (3 SEC GUST)  
 EXPOSURE "C"  
 IMPORTANCE FACTOR: 1.0

### FRAMING:

OPERABLE WINDOWS:  
 T200 SERIES THERMAL BRAKE AWNING & FIXED WD. FOR 1 1/16" I.G. GLASS...

### FINISH:

CLASS #1 CLEAR ANODIZED (.7 MILS)

### MATERIALS:

- ALL FASTENERS SHALL BE STAINLESS STEEL FASTENERS
- ALUMINUM SHALL BE 6063-T6 ALLOY (TYPICAL)
- GE SOS 2000 STRUCTURAL SILICONE SEALANT AT PERIMETER AND JOINTS

### ABBREVIATIONS :

EQ.	=	EQUAL	=	ANCHOR
D.L.O.	=	DAYLITE OPENING	=	TYPICAL
D.O.	=	DOOR OPENING	=	VERIFY IN FIELD
F.D.	=	FRAME DIMENSION	=	DIMENSION POINT
O.C.	=	ON CENTER		
R.O.	=	ROUGH OPENING		

### REPETITIVE NOTES:

NO	D E S C R I P T I O N
01	CONTINUOUS SEALANT WITH BACKER ROD
02	SOLID SHIMS AS REQUIRED
03	TYPICAL ARCADIA WEEP
04	GLASS SETTING BLOCKS
05	SEAL FASTENER HEADS AS REQUIRED
06	SHIM AS REQ'D
07	GLASS ANTI-WALK BLOCKS
08	APPLY A CONTINUOUS HEAL BEAD
09	WATER DIVERTER SET IN SEALANT
10	END DAM AT BOTH END OF SUB-SILL, SILL CAN & SILL FLASHING.

### HARDWARE SCHEDULE: ALL THIS IS BY BRONZE CRAFT, IN WHITE BRONZE.

HARDWARE GROUP	HARDWARE	VENDOR	FINISH
CASEMENT WINDOWS	1) #255-001 CASEMENT, ROTO OPERATOR	BRONZE CRAFT	WHITE BRONZE
	2) #123-001 CASEMENT, CRANK HANDLE	BRONZE CRAFT	WHITE BRONZE
HARDWARE	1) #255-002 CASEMENT, ROTO OPERATOR	BRONZE CRAFT	WHITE BRONZE
	2) #104-030 IS A SUPPORT BRACKET	BRONZE CRAFT	WHITE BRONZE
	2) #256-001 CHANNEL GUIDES, S.S.	BRONZE CRAFT	WHITE BRONZE
	2) #31-096 LOCKING 2-POINT SET WITH CONNECTING BARS, AND THE NECESSARY HIDDEN STRIKES, SUCH AS #106-004 OR #960-015 SHOULDER SCREWS.	BRONZE CRAFT	WHITE BRONZE

### GLASS SCHEDULE / MATERIAL LEGEND :

MARK	TYPE	DESCRIPTION
GL-1	1 1/16" I.G. INSULATED GLASS	1/4" SOLAR BAN 60 BRONZE TEMPERED 3/8" SPACER 3/16" CLEAR HS .060 SGP 3/16" CLEAR HS

### ARCADIA, INC. ® PRODUCT USE & WARRANTY

#### Product Use

Arcadia, Inc., hereby disclaims all liability for the installation of project or design, any parts, gaskets, glazing materials, components or sealant of other manufacturers used with Arcadia, Inc.'s products, or lack of performance of Arcadia, Inc., products attributable to such items. Buyer agrees that under no circumstances shall Arcadia, Inc. be liable for installation defects as Arcadia, Inc. has not and will not be involved in the product selection or installation process. Buyer acknowledges that windows and doors are designed and manufactured to specific performance levels and are rated and classified for particular uses. Different product applications require different levels of product performance. Windows and doors are rated by independent certification agencies to insure they meet their specifications. Selecting the appropriate Arcadia, Inc. products and the installation and application of these products is not the responsibility of Arcadia, Inc. but of Buyer. Buyer represents and agrees that Buyer is solely responsible for the selection and application of proper systems and sizes and to ensure that when installed Arcadia, Inc.'s products will not allow water to pass beyond, around or through Arcadia, Inc.'s products. Unless Buyer has requested in writing and paid a separate and additional fee to Arcadia, Inc. for assembly and installation instructions and unless the same is reflected in this document, Buyer agrees that any details shown are for purposes of illustrations purposes only and are not intended to show how the product should actually be installed and applied. This warranty also does not cover, and Arcadia, Inc., hereby disclaims all liability for any product which has accident, fire, war, flood, earthquakes, acts of God, or to which parts not supplied by Arcadia, Inc., have been added, or to defects caused by depreciation or normal wear. All decisions regarding the existence of defects in material and workmanship and the occurrence of any of the matters described in the preceding paragraphs or affecting this Warranty shall be made by Arcadia, Inc., and shall be final and binding upon the parties.

#### Warranties

Arcadia, Inc. warrants that goods sold here under are merchantable unless manufactured in conformance with Buyer's specifications, and that Arcadia, Inc. conveys good title thereto. ARCADIA, INC. MAKES NO WARRANTIES OR REPRESENTATIONS, EXPRESS OR IMPLIED, BEYOND THE DESCRIPTION ON THE FACE OF THIS CONTRACT AND PURCHASER UNDERSTANDS THAT ARCADIA, INC. HEREBY DISCLAIMS ALL IMPLIED WARRANTIES OF MERCHANTABILITY AND FITNESS. FOR EXAMPLE, ARCADIA, INC. DOES NOT WARRANT THAT THE GOODS ARE FIT FOR BUYER'S PARTICULAR USE OR PURPOSE, AND EXPRESSLY DISCLAIMS ALL PRIOR, CONTEMPORANEOUS OR SUBSEQUENT ORAL REPRESENTATIONS OR WARRANTIES OF ANY KIND. IN THE EVENT GOODS ARE NOT CONFORMING, BUYER'S EXCLUSIVE REMEDY SHALL BE RETURN OF THE GOODS AND REFUND OF THE PURCHASE PRICE. OR AT ARCADIA, INC.'S OPTION, REPLACEMENT OF THE GOODS BY ARCADIA, INC., BUT IN NO EVENT SHALL ARCADIA, INC. BE LIABLE TO BUYER FOR ANY MERCHANDISE OR PART BEYOND ITS INVOICE VALUE (LESS SCRAP VALUE), NOR FOR ANY DIRECT, CONSEQUENTIAL, SPECIAL OR INDIRECT DAMAGES. Arcadia, Inc. shall not have any liability to the customer for lost profits or other consequential, special, indirect or incidental damages, based upon a claim of any type or nature (including, but not limited to, contract, tort (including negligence, warranty or strict liability)), even if advised of possibility of such damages. Arcadia, Inc. specifically does not warrant the accuracy of any advice or recommendations given to Buyer in connection with the sale of goods hereunder.

All dimensions and conditions shown in these Shop Drawings should be verified in the field before fabrication and installation. Substrate details are for reference only and must be verified by Sub-Contractor and G.C.

REVISION CHART		
No	Date	Description
Δ	2/20/17	REV'D PER CALC'S
Δ	8/22/17	REV'D AS NOTED
Δ	9/26/17	REV'D AS NOTED
Δ	9/29/17	REV'D AS NOTED
Δ	11/20/18	REV'D AS NOTED

## 1350 ALA MOANA WINDOW REPLACEMENT

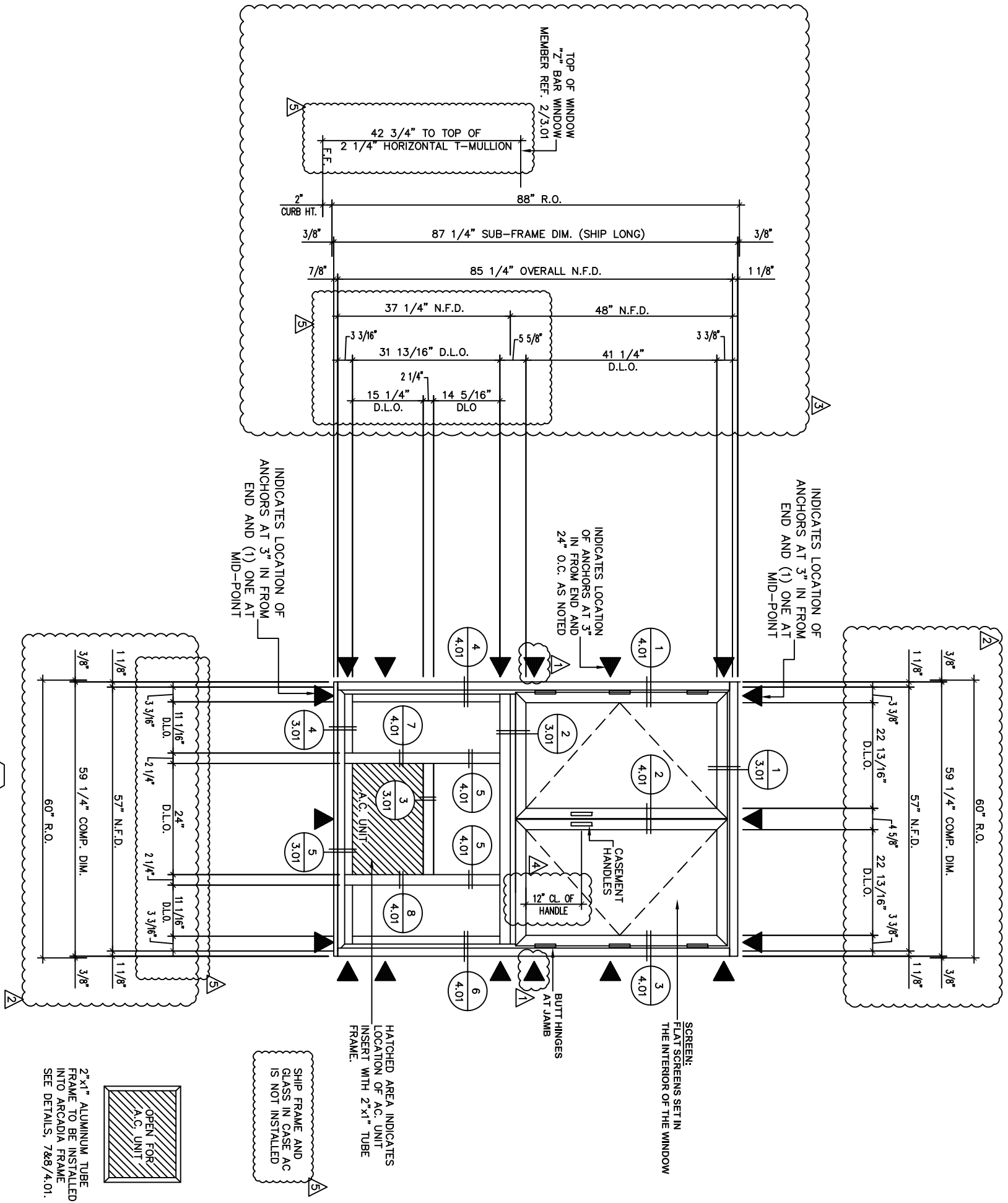
ARCHITECT:  
 GENERAL CONTRACTOR:  
 GLAZING CONTRACTOR:  
 ELITE RAILINGS & WINDOWS, LLC.

USA

**ARCADIA, INC.**  
 94-410 Uke'e St., Bldg. #A Waipahu, HI 96797  
 Tel: (808) 678-9700, Fax: (808) 676-8663

DESIGN ENGINEERING  
 69841 ETHA STREET  
 DESERT HOT SPRINGS, CA 92240  
 PH: 909-957-7307  
 EMAIL: USADEN@GMAIL.COM  
 DRAWN BY: USA DESIGN ENG  
 CHECKED BY: John G.  
 DATE: 1/17/17  
 SCALE: NONE  
 DRAWING NUMBER:  
**0.01**

▲ = INDICATES LOCATION OF ANCHORS AT THE PERIMETER OF THE FRAME.  
 SHOP NOTE:  
 SHIP ALL COMPENSATING CHANNELS AT 2" LONGER SO THAT CUSTOMER CAN FIELD CUT & FIT.



ELEVATION (1) REQ'D. THUS  
 CUST. REF.: MOCK-UP  
 ARCADIA: T200 SERIES WINDOWS  
 GL-1: 1 1/8\" I.G. INSULATED GLASS

2\"x1\" ALUMINUM TUBE FRAME TO BE INSTALLED INTO ARCADIA FRAME SEE DETAILS, 7&8/4.01.

HATCHED AREA INDICATES LOCATION OF A.C. UNIT INSERT WITH 2\"x1\" TUBE FRAME.  
 SHIP FRAME AND GLASS IN CASE AC IS NOT INSTALLED

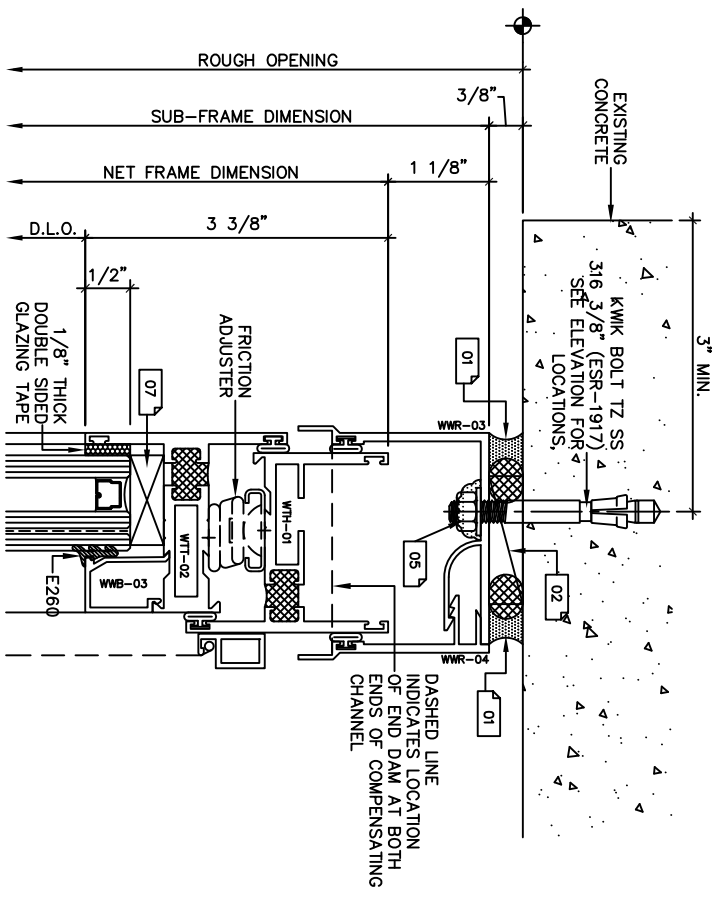
REVISION CHART		
No	Date	Description
▲1	2/20/17	REV'D PER CALC'S
▲2	8/22/17	REV'D AS NOTED
▲3	9/26/17	REV'D AS NOTED
▲4	9/29/17	REV'D AS NOTED
▲5	11/20/18	REV'D AS NOTED

# 1350 ALA MOANA WINDOW REPLACEMENT

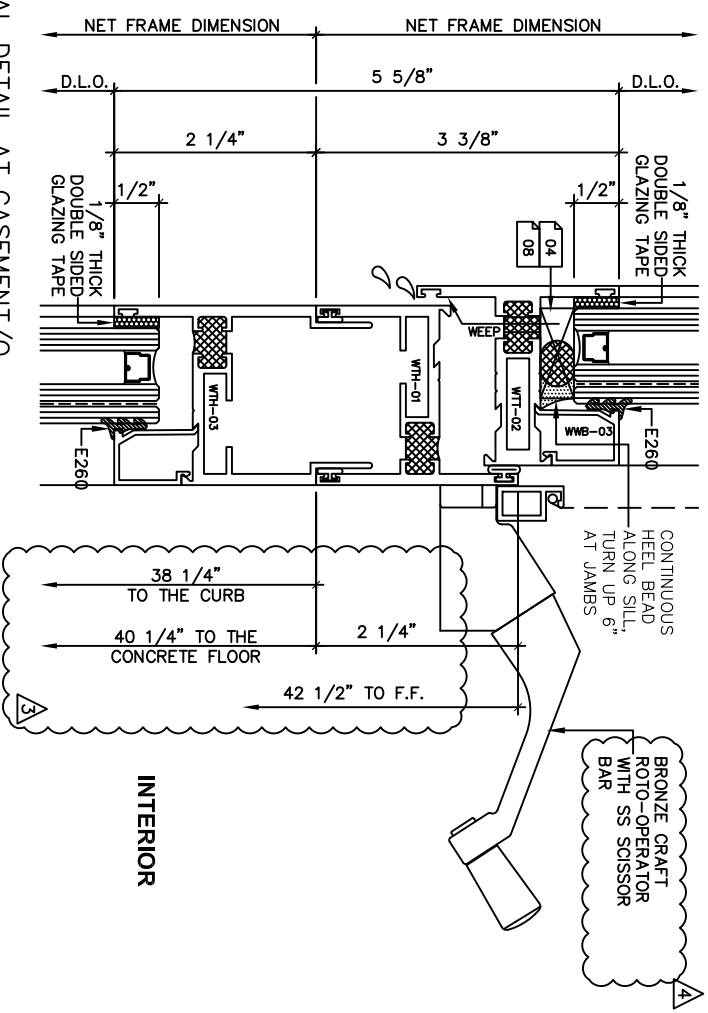
ARCHITECT:  
 GENERAL CONTRACTOR:  
 GLAZING CONTRACTOR:  
 ELITE RAILINGS & WINDOWS, LLC.

**arcadia**  
**ARCADIA, INC.**  
 94-410 Uke'e St., Bldg. #A Waipahu, HI 96797  
 Tel: (808) 678-9700, Fax: (808) 676-8663

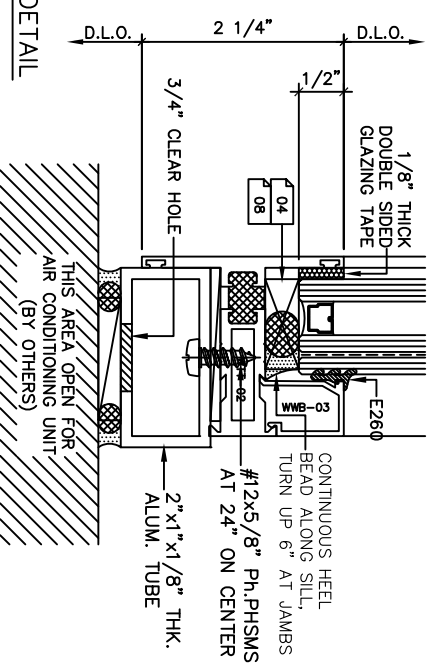
**USA**  
 DESIGN ENGINEERING  
 98641 5TH STREET  
 DESERT HOT SPRINGS, CA 92240  
 PH: 909-957-7307  
 EMAIL: USADERS97@GMAIL.COM  
 DRAWN BY: USA DESIGN ENG  
 CHECKED BY: John G.  
 DATE: 1/17/17  
 SCALE: 1\" = 1'-0\"  
 DRAWING NUMBER:  
**2.01**  
 SHEET: 2 OF 4



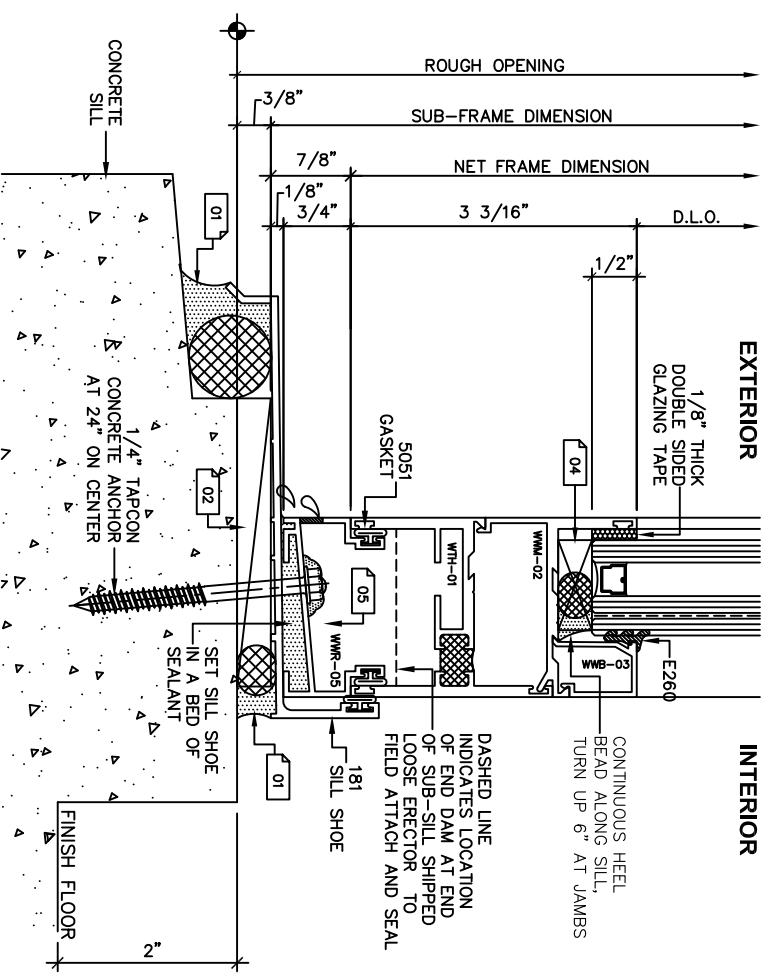
1 HEAD DETAIL  
T200 SERIES  
ARCH REF: NONE



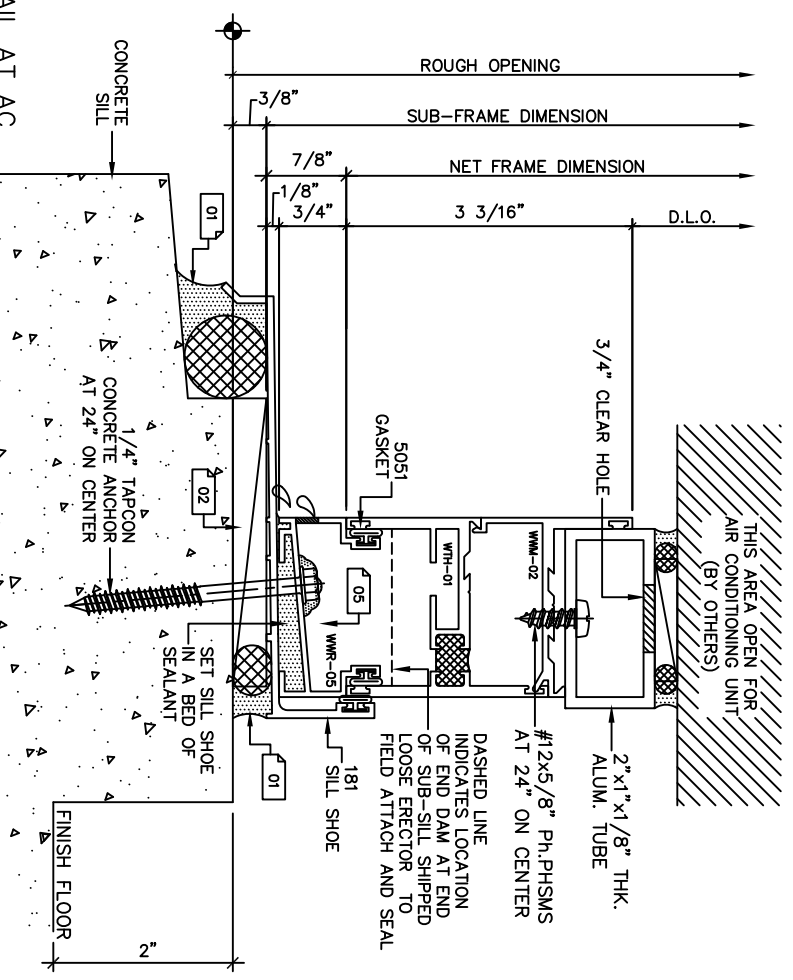
2 HORIZONTAL DETAIL AT CASSEMENT/O  
T200 SERIES  
ARCH REF: NONE



3 HORIZONTAL DETAIL  
T200 SERIES  
ARCH REF: -



4 SILL DETAIL AT FIXED  
T200 SERIES  
ARCH REF: NONE



5 SILL DETAIL AT AC  
T200 SERIES  
ARCH REF: NONE

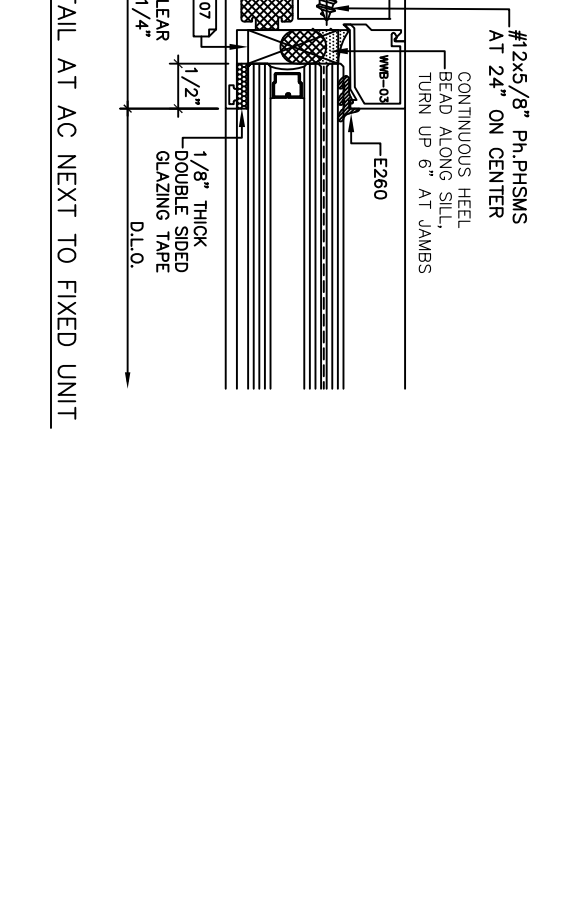
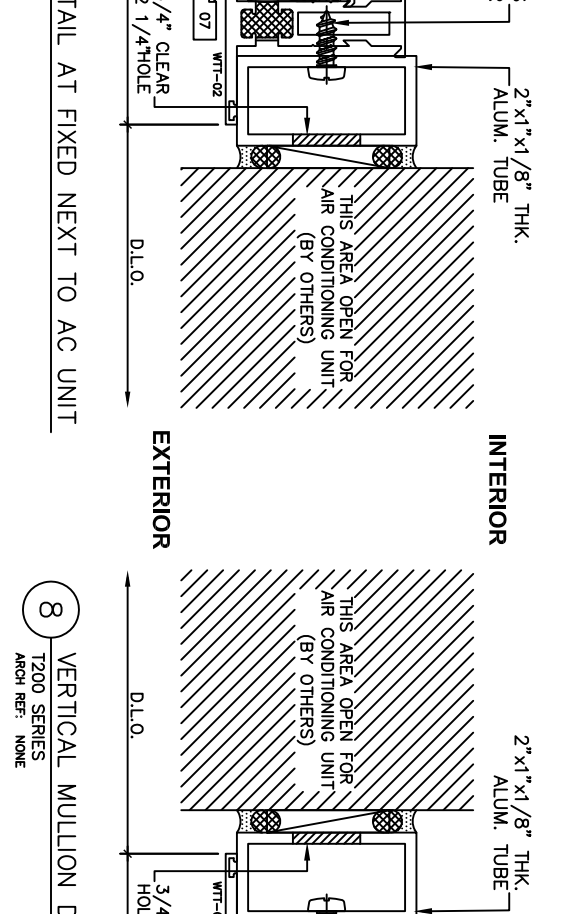
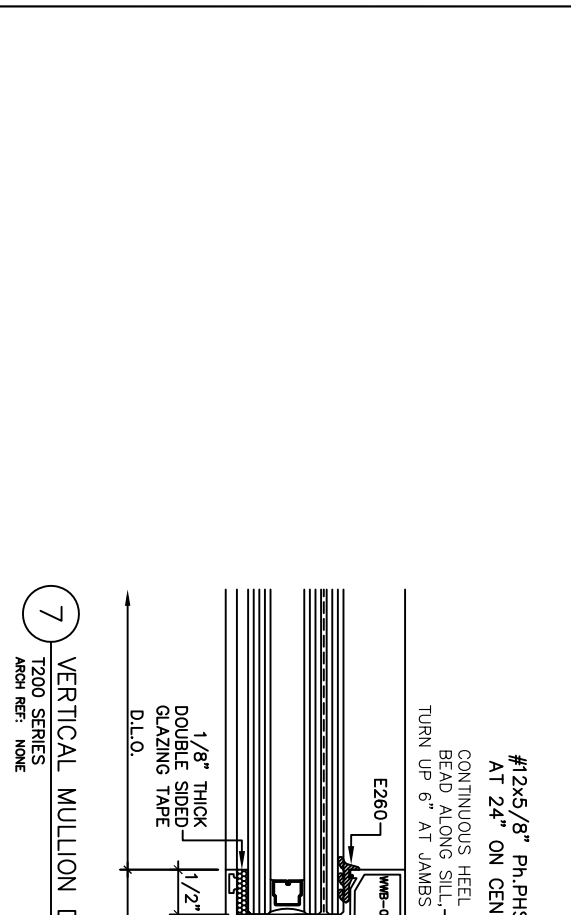
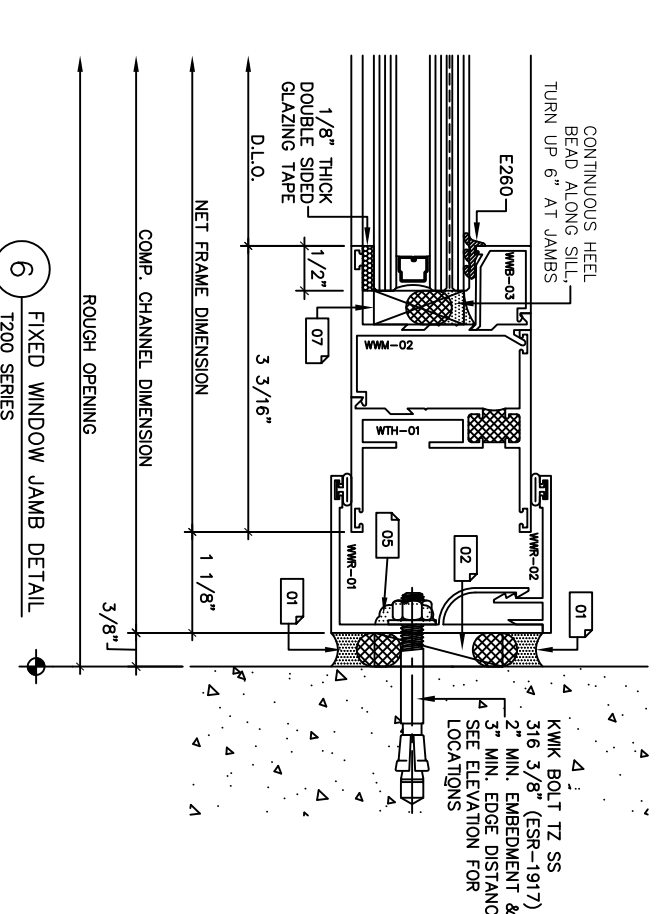
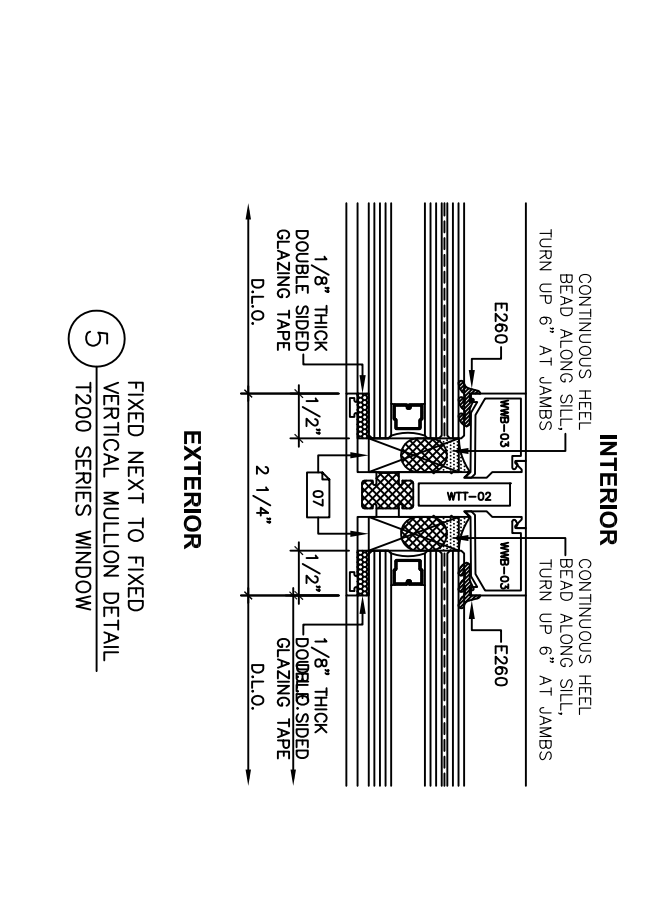
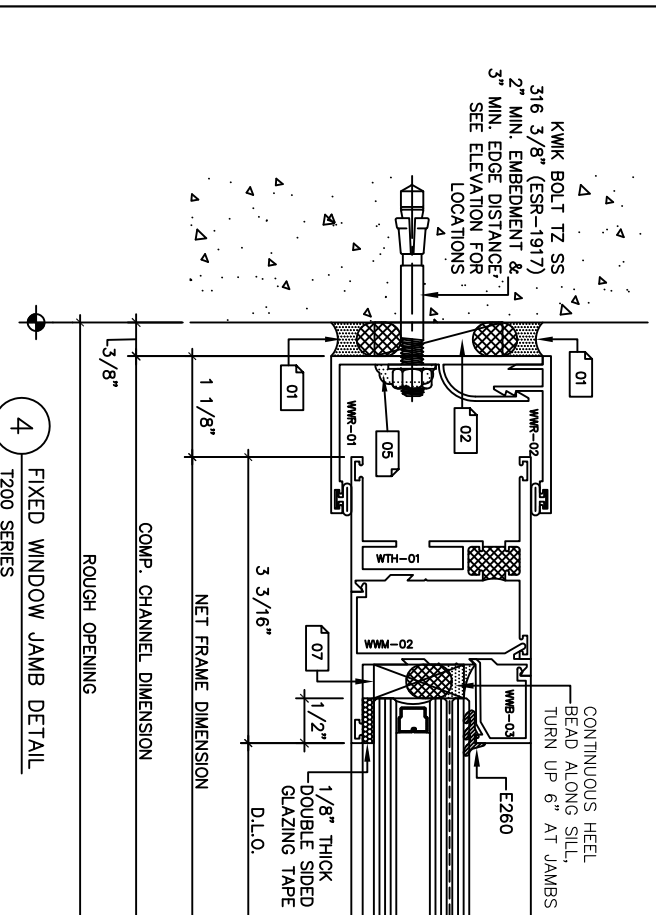
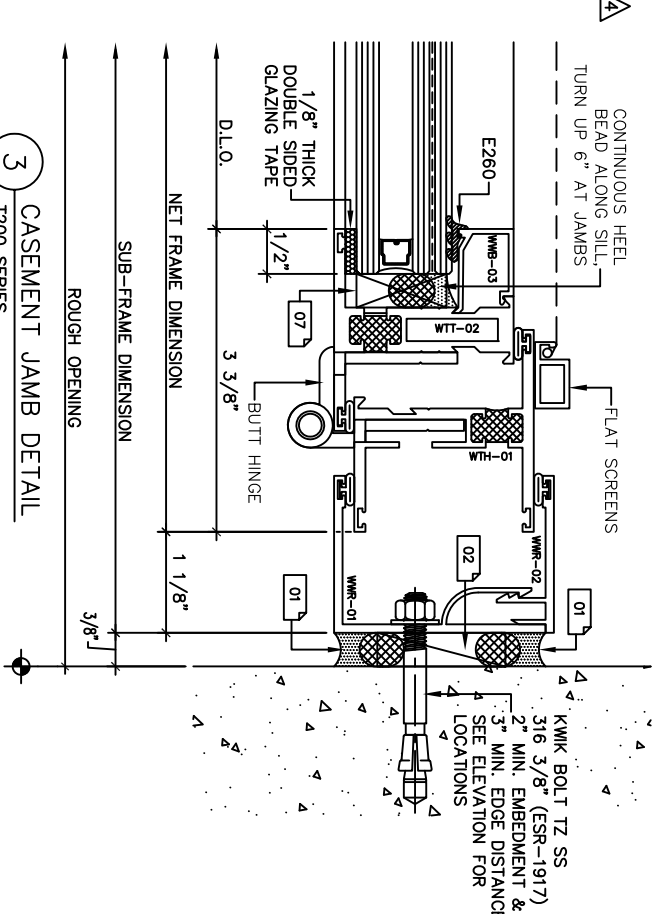
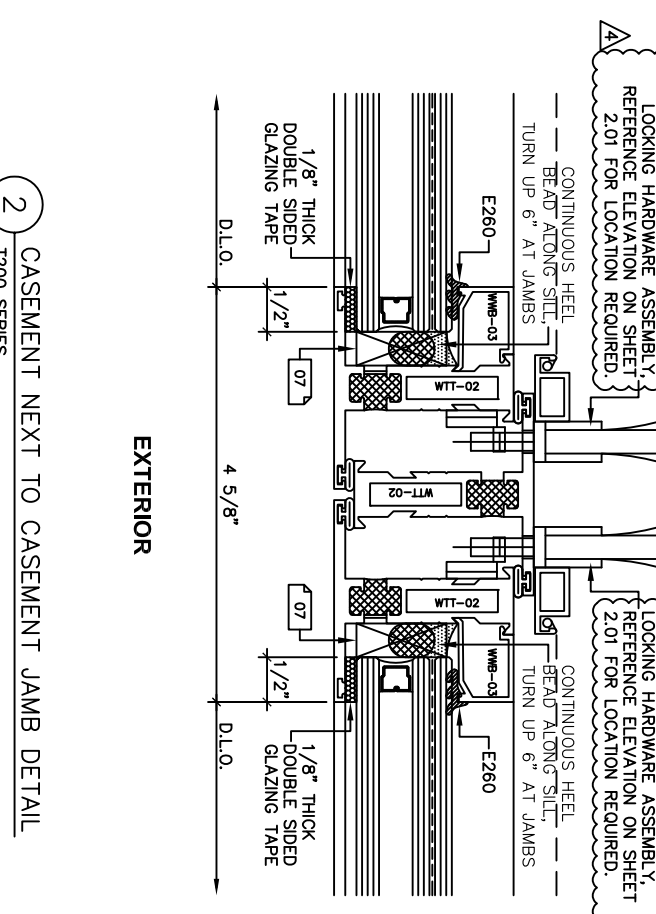
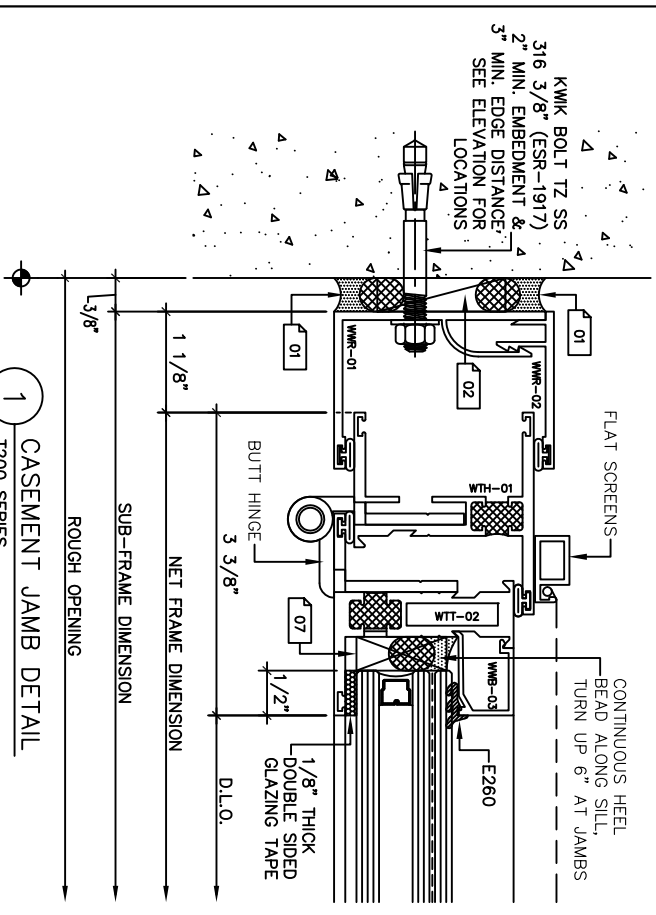
REVISION CHART		
No	Date	Description
△	2/20/17	REV'D PER CALC'S
△	8/22/17	NO REV THIS PAGE
△	9/26/17	REV'D AS NOTED
△	9/29/17	REV'D AS NOTED
△	11/20/18	NO REV THIS PAGE

# 1350 ALA MOANA WINDOW REPLACEMENT

ARCHITECT:  
GENERAL CONTRACTOR:  
GLAZING CONTRACTOR:  
**ELITE RAILINGS & WINDOWS, LLC.**

**ARCADIA, INC.**  
94-410 Uke'e St., Bldg. #A Waipahu, HI 96797  
Tel: (808) 678-9700, Fax: (808) 676-8663

**USA**  
DESIGN ENGINEERING  
95841 6TH STREET  
DESERT HOT SPRINGS, CA 92240  
PH: 909-957-7307  
EMAIL: USADESIGN@GMAIL.COM  
DRAWN BY: USA DESIGN ENG  
CHECKED BY: John G.  
DATE: 1/17/17  
SCALE: FULL SIZE DETAILS  
DRAWING NUMBER:  
**3.01**  
SHEET: 3 OF 4



REVISION CHART		
No	Date	Description
△	2/20/17	REV'D PER CALC'S
△	8/22/17	NO REV THIS PAGE
△	9/26/17	NO REV THIS PAGE
△	9/29/17	REV'D AS NOTED
△	11/20/18	NO REV THIS PAGE

# 1350 ALA MOANA WINDOW REPLACEMENT

ARCHITECT: \_\_\_\_\_  
 GENERAL CONTRACTOR: \_\_\_\_\_  
 GLAZING CONTRACTOR: ELITE RAILINGS & WINDOWS, LLC.

**ARCADIA, INC.**  
 94-410 Uke'e St., Bldg. #A Waipahu, HI 96797  
 Tel: (808) 678-9700, Fax: (808) 676-8663

**USA**  
 DESIGN ENGINEERING  
 89841 ETH STREET  
 DESERT HOT SPRINGS, CA 92240  
 PH: 909-457-7307  
 EMAIL: USADERS97@GMAIL.COM  
 DRAWN BY: USA DESIGN ENG  
 CHECKED BY: John G.  
 DATE: 1/17/17  
 SCALE: FULL SIZE DETAILS  
 DRAWING NUMBER: 4.01  
 SHEET: 4 OF 4